

MOD CON BOILER



Mod Con Stainless Steel Commercial Boiler

An Intelligent Design that Delivers Highly Efficient
Hydronic Heating with 94% Thermal Efficiency



Stainless Steel Heat Exchanger

MOD CON Construction Features

Combustion System

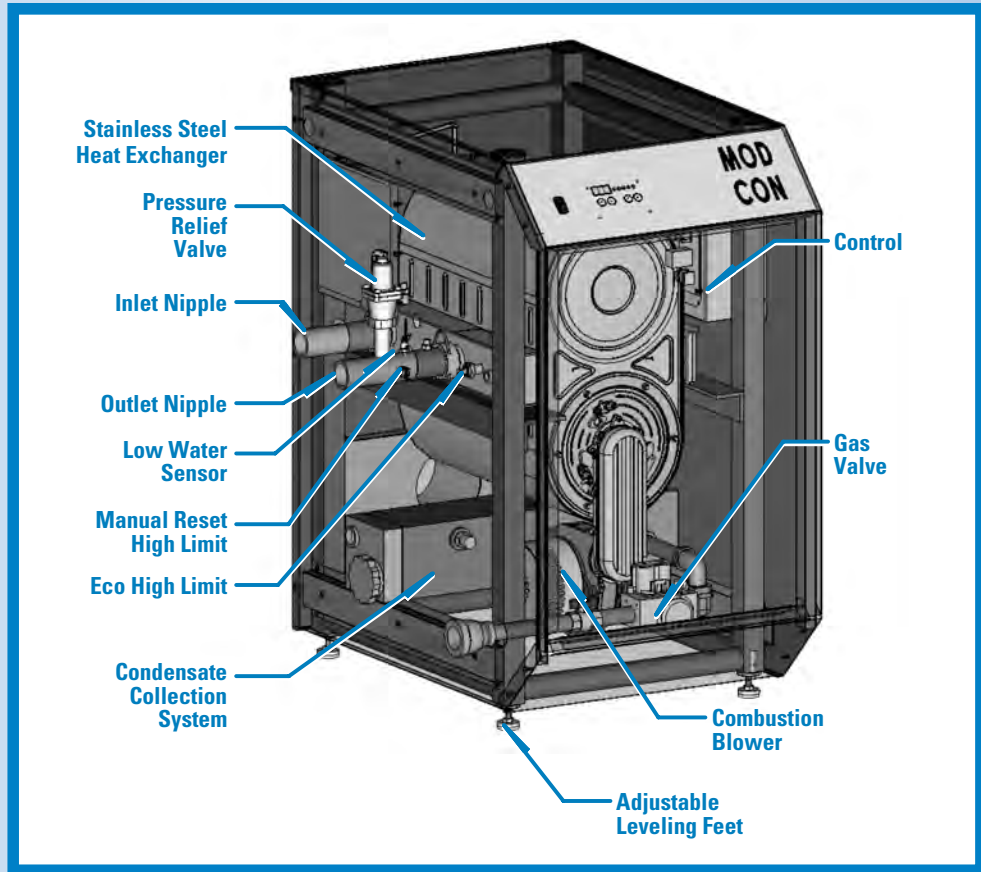
- 94% Thermal Efficiency
- Modulating Burner with 5 to 1 turn down
- Whisper Quiet Operation
- Low NOx Operation
- High Grade Inconel Burner
- Reliable Spark Ignition
- Gas Valve (Tested to UL, FM, CSA Standards)

Heat Exchanger

- All Stainless Steel Construction
- No Gaskets, Welded Construction. ASME Approved
- 150 PSI Relief Rated
- Easy to Service

Integrated Control System

- Built-in sequencer for up to 8 boilers
- Digital display with LED status indicators
- Integrated Control allows only the amount of heated energy required.
- Outdoor sensing with Indirect priority, allows for greater energy savings and comfort



- Built in Low water cut off with additional manual reset high limit switch
- Multiple Pump outputs – Boiler Pump – System Pump – Indirect Pump
- 24 volt monitor for system safeties
- Dual flame sensing (Flame probe / Spark Ignition Probe)

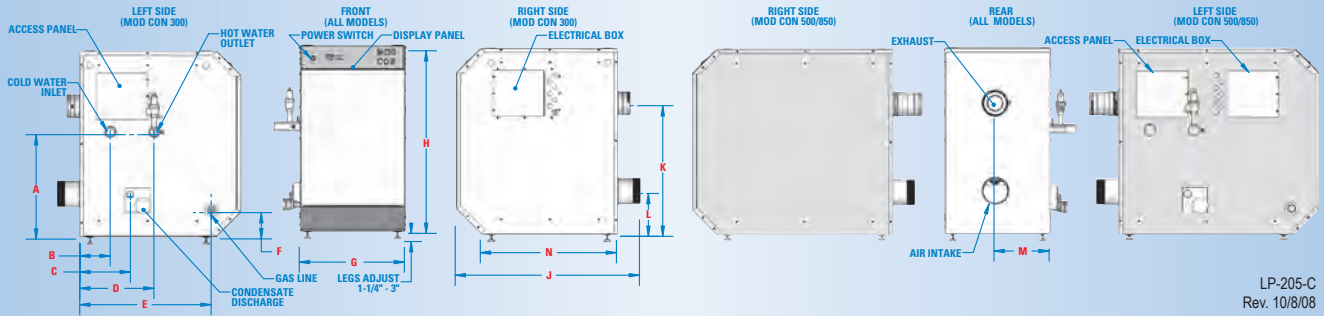
MOD CON Additional Features

- Superior Condensate Collection System (Patent Pending) Easy to service with overflow protection
- PVC – CPVC – Stainless Steel Venting
- Vents up 200 feet combined
- Double Stack units for double the output in small foot print
- Adjustable Legs
- Direct Vent Sealed Combustion
- Models available for Natural or LP Gas
- Easy access to wiring and field service of combustion heat exchanger
- Zero clearance to combustibles
- Low water cutoff standard equipment
- High limit manual reset
- Removable front cover allows easy access to burner assembly
- Zero clearance to all combustible surfaces.
- Factory installed AGA/ASME rated relief valve.
- PC monitoring for history – system operation (optional)
- Self diagnostic electronic control with digital readout to monitor system parameters.

MOD CON Optional Equipment

- System Sensor (Part # 7250P-324)
- Indirect Sensor (Part # 7250P-325)
- 4" Stainless Steel Outside Termination Vent Kit (V2000)
- 6" Stainless Steel Outside Termination Vent Kit (V3000)
- High and Low Gas Pressure Switch Kit with Manual Reset (Part # 7350P-600)
- U.L. 353 Compliant Low Water Cut-Off Interface Kit with Manual Reset (Part # 7350P-601)
- Alarm System (Part # 7350P-602) (to monitor any failure)
- Stacking Kit (Part # 7350P-603)
- PC Interface Cable (Part # 7250P-320)
- Boiler Caster Kit (Part # 7350P-604)
- Mod Con Condensate Neutralizer (Part # 7350P-611)
- Flow Switch Kit (Part #7350P-605 Mod Con 500/850, Part #7350P-606 Mod Con 300)

MOD CON Dimensional Information



LP-205-C
Rev. 10/8/08

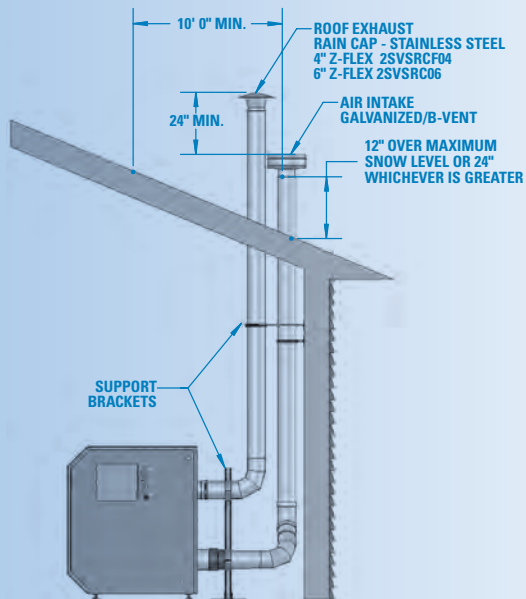
Model	A	B	C	D	E	F	G	H	J	K	L	M	N
MOD CON 300	20.00"	6.25"	10.25"	14.50"	26.00"	5.15"	20.50"	36.00"	35.75"	25.50"	8.25"	10.50"	26.50"
MOD CON 500	20.00"	6.25"	13.25"	14.50"	33.30"	5.15"	20.50"	36.00"	41.75"	25.50"	8.25"	10.50"	34.00"
MOD CON 850	20.00"	6.75"	16.25"	18.75"	43.50"	20.00"	20.50"	36.00"	66.75"	25.50"	8.25"	10.50"	57.50"

PLEASE NOTE: ALL DIMENSIONS ARE APPROXIMATE AND HEIGHTS DO NOT INCLUDE ADJUSTABLE LEGS.

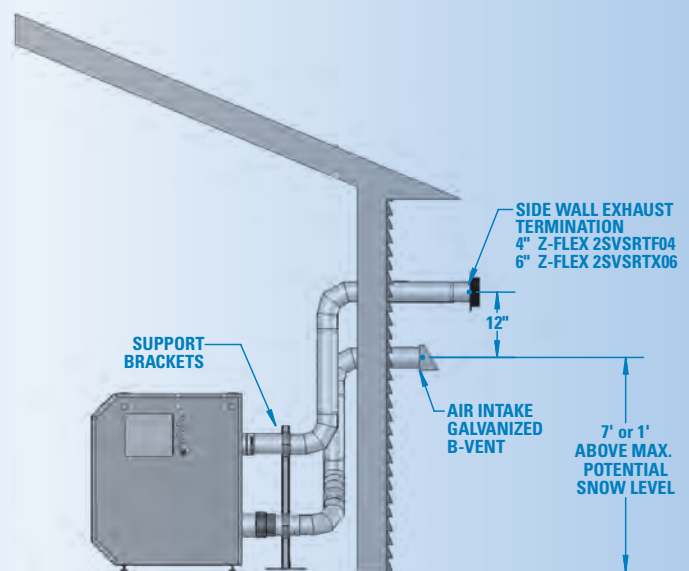
Model	BTU / hr Input Low Fire	Gross Output BTU / hr	Net I=B=R BTU / hr	Thermal Efficiency	Boiler Water	Supply/ Return Conn.	Gas Conn.	Vent Dia.	Ship Wt.	High Fan Speed	Low Fan Speed	Ignition
MOD CON 300	60,000–301,000	283,000	245,000	94%	2.9	1-1/2"	1-1/4"	4"	410	5400	1500	3000
MOD CON 500	100,000–500,000	470,000	409,000	94%	4.2	2"	1-1/2"	4"	505	6930	1250	3000
MOD CON 850	170,000–850,000	799,000	695,000	94%	5.8	2"	2"	6"	580	5500	1250	3000

MOD CON Vertical Venting

Roof Venting with Stainless Steel (AL294C)



Sidewall Venting with Stainless Steel



Note:

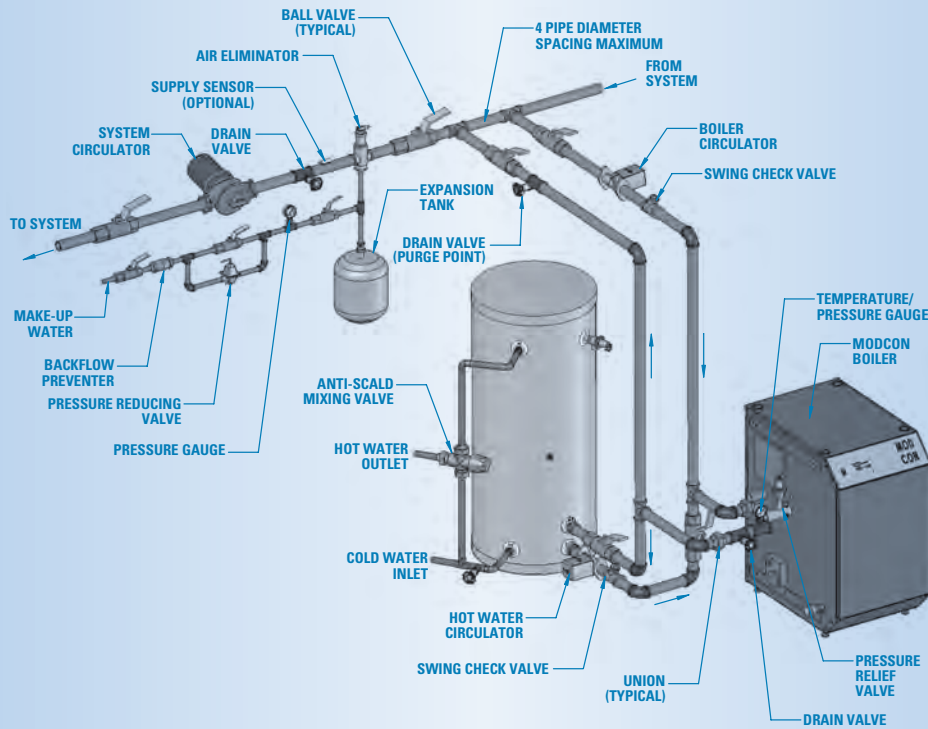
Vent must be at least 12" over maximum snow level or 24", whichever is greater – check with local code requirements

General Note:

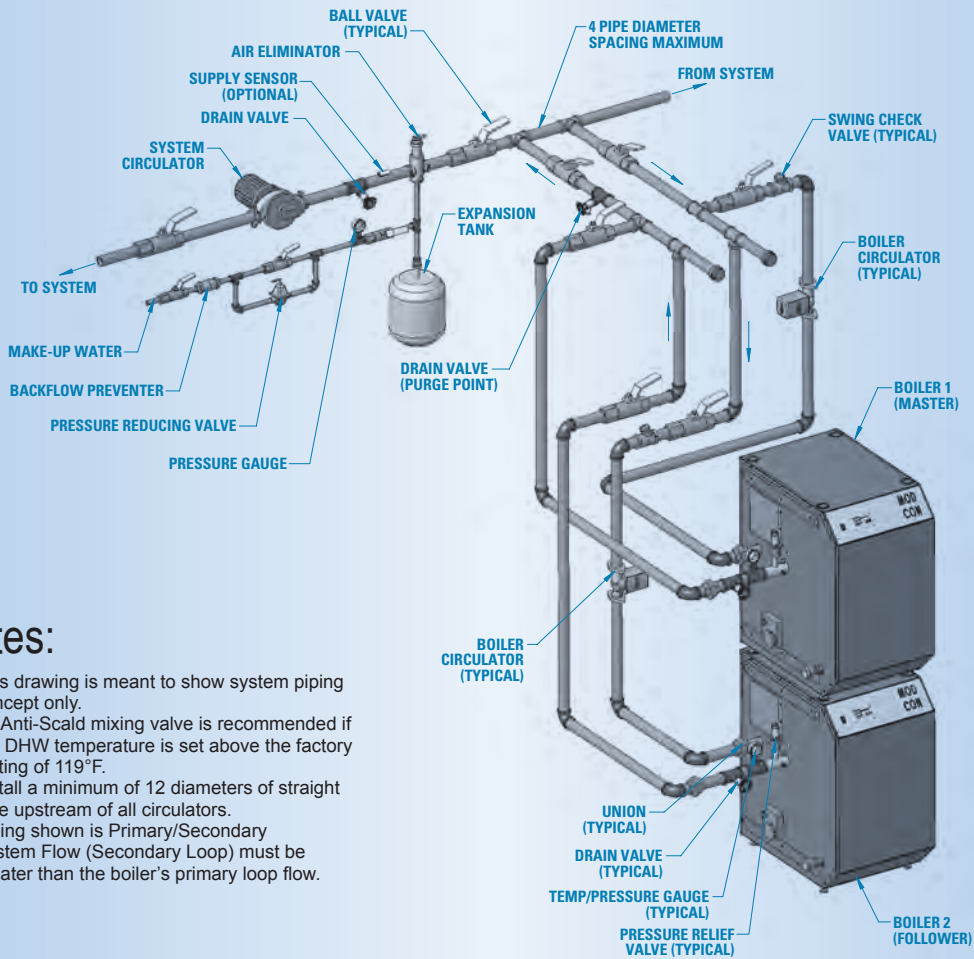
All vent pipes must be glued, properly supported and the exhaust must be pitched a minimum of 1/4" per foot back to the heater (to allow drainage of condensate).

LP-205-Y
Rev. 7/07/08

MOD CON Single Boiler Space Heating with Indirect Priority



LP-205-L
Rev. 10/29/08



LP-205-CC
Rev. 7/8/08

Notes:

1. This drawing is meant to show system piping concept only.
2. An Anti-Scald mixing valve is recommended if the DHW temperature is set above the factory setting of 119°F.
3. Install a minimum of 12 diameters of straight pipe upstream of all circulators.
4. Piping shown is Primary/Secondary
5. System Flow (Secondary Loop) must be greater than the boiler's primary loop flow.

